

mellerware®

TRENDS FOR LIFE

Discovery Stainless Steel Kettle



complies with
INTERNATIONAL
IEC60335
SAFETY SPECIFICATIONS

m
2200W

CE
2 YEAR
GUARANTEE

Model:
22640b

PLEASE READ ALL INSTRUCTIONS BEFORE USE

2 year guarantee

IMPORTANT SAFETY INSTRUCTIONS:

When using electrical appliances, the following safety precautions should always be followed to reduce the risk of electric shock, personal injury and fire. Read all these instructions carefully before using, and save for future reference or new users.

1. Referring to the enclosed illustration, read these instructions carefully before using the kettle for the first time;
2. Before using the kettle, make sure whether the voltage indicated on the kettle corresponds with the mains voltage in your home. If not, do not use it;
3. Please place the kettle on a stable flat surface to avoid any accident or possible damage to the kettle;
4. Be sure to fill the kettle first, then connect it to the power;
5. Keep the power plug connecting to an earthed wall socket while using the kettle;
6. Be sure to close the lid on the kettle well;
7. The automatic safety cut-off will protect the kettle from any damage causing by over heated
8. If the kettle runs dry while operating, first remove the power plug from the wall socket, then pour in appropriate water to cool the heating element down, The safety cut-off will reset by itself.
9. Pour away the very first water boiled with this kettle, the appliance then is ready for use.

WARNING:

1. The product is only used for heating water;
2. Do not fill the kettle over its MAX capacity as the boiling water may be ejected;
3. The cordless kettle can only work with its equipped power base;
4. The power can be connected only through on/off switch(B),i.e. while the on/off switch is under "1" status, connecting the power or placing the kettle body on the power base is not permitted;
5. Keep children and patients away or not let them use the kettle;

INSTRUCTIONS FOR USE:

Description

- A Handgrip
- B Water Level Gauge
- C On/Off Switch
- D Indicator Lamp
- E Power Base
- F Kettle Body
- G Spout (with removable Filter)
- H Lid

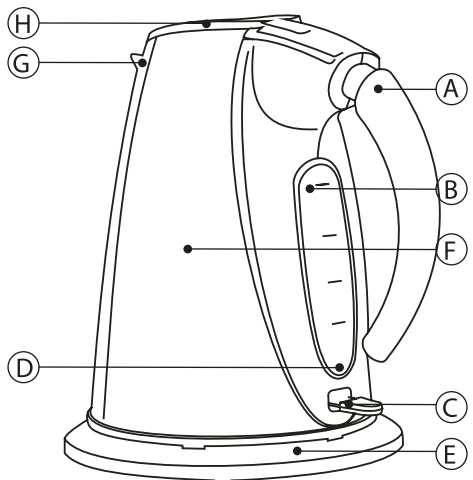
6. To ensure safety, do not hang up the power cord on the side of table or other similar place;
7. Never immerse the kettle in water to allow water to erode the electrical components inside the kettle. Detailed instruction refer to the following "Cleaning & Descaling";
8. If power cord provided is damaged, return it to our manufacturer or our service personnel;

USING METHOD:

1. Filling
 - Open the lid and fill the kettle;
 - Fill water between "MIN" and "MAX" indicated on the water level gauge;
 - Close the lid well;
2. Switching On
 - Insert the power plug into the earthed wall socket corresponding with the kettle's requirements;
 - Press the on/off switch to "on" (marks "1"), then the indicator lamp will light up, which means the kettle is under working;
- 3 Switching Off
 - The kettle can automatically switch off when water has boiled, at the same time, the indicator lamp will go out, and the on/off switch will go back to "off" (marks "0") position;
 - Switching off the kettle at any time manually is allowed, that is, you can directly press the on/off switch to "off" (marks "0") position

Attention:

DO NOT FORCE THE "ON/OFF" SWITCH BACK TO "ON" (MARKS "1") POSITION WHEN IT SWITCH OFF AUTOMATICALLY AS IT WILL DO GRAVE DAMAGES TO THE KETTLE.



Cleaning & Descaling

1.Cleaning

- Before clean, read the "Important Instruction" carefully;
- Remove the power plug and cool the kettle down;
- Scrub the outside and the base lid of the kettle with a damp cloth, then a dry one instead. Please do not use rough things or else that'll scrape the kettle;
- Both soap solution and cleanser are workable of cleaning the kettle, but strong acid and other erosive cleanser are strictly forbidden;

2.Descaling

- Descale regularly will make the kettle's life longer;
- Descale the kettle with normal use at least twice a year;
- Add vinegar to "MAX" indicated on the gauge and boiled it;
- Disconnect from the power plug;
- Leave the vinegar in the kettle overnight, then pour it out the next morning;
- Fill the kettle with clean water up to "MAX" and boiled again, then remove the remaining scale and vinegar;
- Rinse the inside of the kettle with clean water.

Note:

- If the kettle is switched on when empty or with insufficient water, then the kettle will switch off automatically to protect against dry boiling. Wait until the heating element cools down, refill with tap water and use as normal. This protection function is not designed for regular use, as it will shorten the life of the kettle.
- If the kettle is overfilled, boiling water may be ejected.
- The kettle is only to be used with the stand provided.
- The appliance must not be immersed during cleaning.
- If the supply cord is damaged, the manufacturer or its service agent or a similarly qualified person must replace it in order to avoid a hazard.

Descaling

Always ensure that the kettle is disconnected from the mains before descaling. Scaling or furring is a common problem in hard water areas. It is recommended that a propriety descaler is used whenever scale deposits build up. The instructions supplied with the descaler must always be followed. Scale build up may result in the kettle switching off before boiling. Using a water purifier will help to reduce scale build-up.

Ensure that you descale your filter at regular intervals to avoid impairing the pouring performance of your kettle.

Disposal and the Environment

If your electrical appliance requires replacement or is of no further use, please think of protecting the environment. Contact you local authority for advice as many have facilities for environmentally safe disposal.

PRODUCT SPECIFICATION :

Voltage: 220V – 240 V~50/60 Hz

Power: 1850-2200 W

Water capacity: Minimum 0.5L – Maximum 1.7L

Trouble Shooting Guide

Problem	Reason	Action	Pre-caution
Kettle is leaking water	May be condensation	This is normal if boiled a number of times in succession	This kettle is for household use only.
	Kettle is over filled	Pour out water to MAX level.	If overfilled water can eject from the kettle resulting in a hazard
	Switch is sticking	Ensure switch button is clean.	Keep appliance away from cooking splatter.
Kettle does not work	Household socket is off.	Switch on household socket	Ensure water covers the element before operating.
	Household socket is not working	Check the socket with another appliance	Appliance must be of similar wattage to prevent overloading.
	Kettle is not seated on base correctly.	Seat kettle on base correctly	Your life of the kettle will be reduced if not seated on base correctly.
Kettle trips mains power supply	Overloaded circuit.	Unplug all appliances attached to the same circuit.	Note that there can be up to 5 household plug sockets on 1 circuit.
Kettle takes too long to boil	Element has lime scale deposits.	Descal element using a proprietary descaler or citric acid solution. If not successful then a new element may be required.	Kettles with scale will have a reduced lifespan. Clean the scale regularly.
Kettle works intermittently	Element has lime scale deposits.	Descal element using a proprietary descaler or citric acid solution. If not successful then a new element may be required.	Kettles with scale will have a reduced lifespan. Clean the scale regularly.
Kettle is rusting on outside	Steam deposit has oxidised and turned into an orange colour.	Wipe your kettle after each use to keep dry. Polish stainless steel occasionally.	Keeping any appliance clean at all time will extend the life of the product.
Element is rusting. Rust spots on element.	Water deposits on the element. Some areas have water that will result in orange or brown stains.	Some stains are stubborn and a descaler may not be effective. This should not affect function.	Use distilled water.
Kettle does not switch off automatically	Lid not positioned correctly or is off.	Place lid on the kettle securely.	Ejecting steam from the spout or lid can be a hazard

creative housewares

27 Nourse Avenue Epping 2 Cape Town
 PO. Box 975 Eppindust 7475 South Africa
 Tel: +27 21 534 8114 Fax: +27 21 534 8086
 Service Centre Share Call: 086 111 5006
 web: www.creativehousewares.co.za